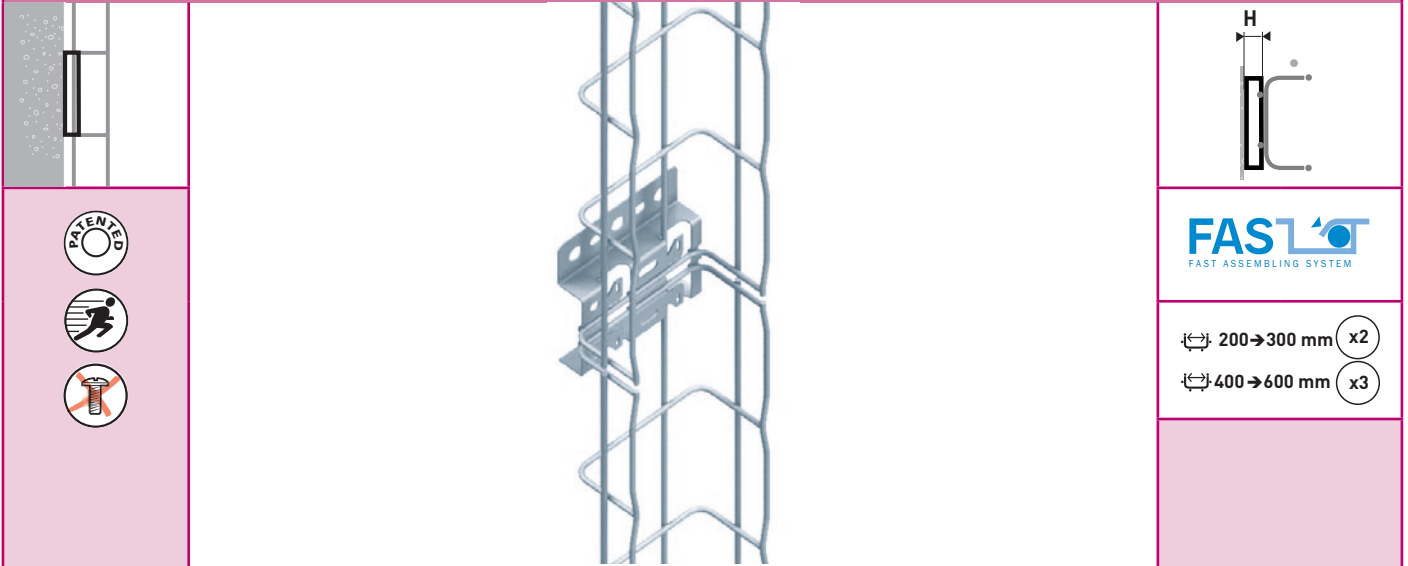




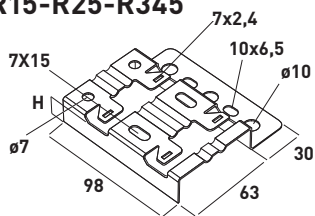
R15/25/35 **CF30 - CF54 - CF80 - CF105** **100 → 600 mm**



FASL
FAST ASSEMBLING SYSTEM

200 → 300 mm (x2)
 400 → 600 mm (x3)

R15-R25-R345



R15/100
R15/300
R25
R35

H
mm

F
daN

GS

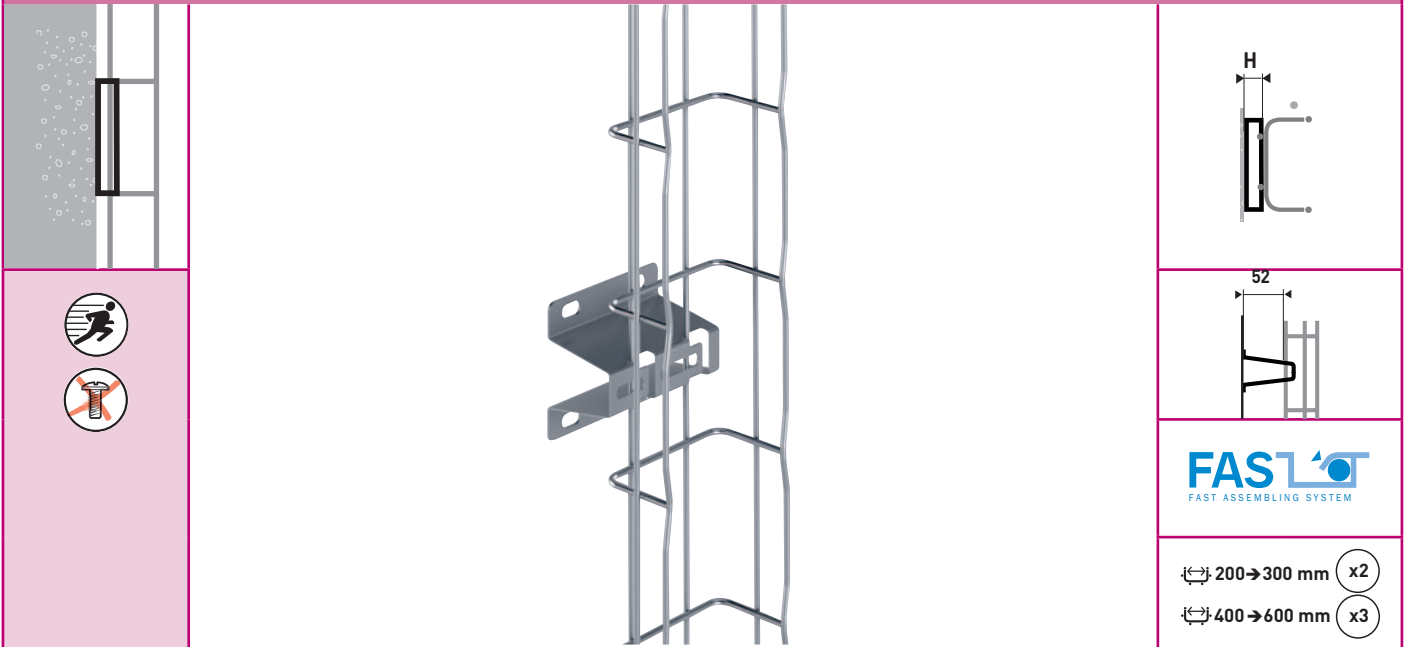
ZM

304L

316L

586 170	586 173	-	586 174
586 610	586 617	-	-
586 640	586 647	-	-
586 650	586 657	-	-

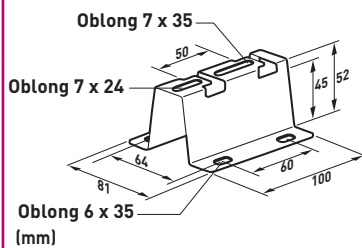
R50 **CF30 - CF54 - CF80 - CF105** **100 → 600 mm**



FASL
FAST ASSEMBLING SYSTEM

200 → 300 mm (x2)
 400 → 600 mm (x3)

R50



R50

H
mm

F
daN

GS

GC

304L

316L

348 530	348 532	-	348 531
---------	---------	---	---------