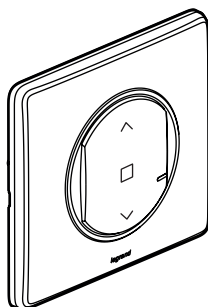


# Céliane™

## Connected wireless control for roller shutters

Cat. Nos: 0 676 46/47 - 0 648 97



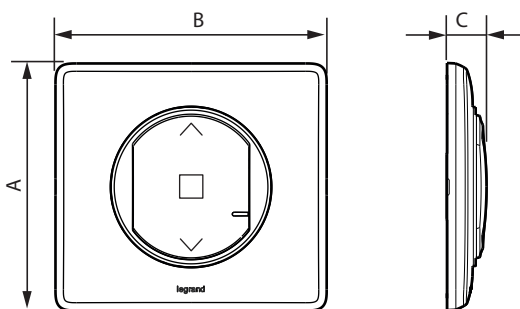
### 1. USE

- Zone or centralised control for wired roller shutter switches.
- Fixes directly on the wall or screws onto a flush-mounting box. Multi-gang versions can be combined with other wiring accessories.
  - Fits on a piece of furniture (movable).
- Can control up to 20 roller shutter switches.

### 2. RANGE

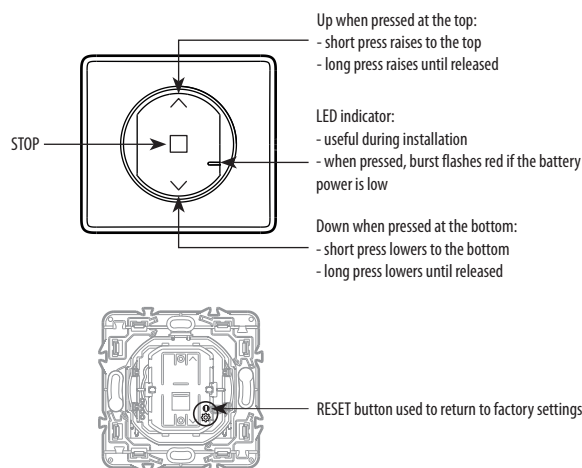
Description	White	Titanium	Graphite
Connected wireless control for roller shutters. Supplied complete with battery. Equipped with an LED indicator (configuration) and a RESET button (hidden) used to return to factory settings. Repositionable self-adhesive fixings supplied.	0 676 46	0 676 47	0 648 97

### 3. DIMENSIONS (mm)



Cat. Nos.	A	B	D
0 676 46/47 - 0 648 97	82	90	13

### 4. OPERATION



### 5. TECHNICAL CHARACTERISTICS

#### 5.1 Mechanical characteristics

- Protection against impacts: IK 02  
 Protection against solid bodies/liquids:  
 - IP 20 without plate and rocker plate  
 - IP 40 for assembled product

#### 5.2 Material characteristics

Colour	White	Titanium	Graphite
Plate	ABS + PC	ABS + Metal	ABS + Metal
Rocker plate	ABS	Painted ABS	Painted ABS

Mechanism with grid: Fibreglass-reinforced (10%) PC

Halogen-free  
 UV resistant

Self-extinguishing: 650°C/30 s

#### 5.3 Electrical characteristics

- Powered by a CR2032 - 3 V lithium battery (supplied)  
 Battery life: 8 years for 10 activations a day  
**ZigBee radio technology** frequency: 2.4 GHz to 2.4835 GHz  
 Power level: < 100 mW  
 Wireless mesh network, self-adaptive and secure (AES 128), conforming to standard IEEE 802.15.4 (LR-WPAN)

#### 5.4 Climate characteristics

- Usage temperature: +5°C to +45°C  
 Storage temperature: 0°C to +45°C

## 6. CARE

Clean the surface with a cloth.  
Do not use acetone, tar-removing cleaning agents or trichloroethylene.  
Resistant to the following products: Hexane (EN 60669-1), methylated spirit, soapy water, diluted ammonia, bleach diluted to 10%, window-cleaning products, pre-impregnated wipes.

**Caution:** Always test before using special cleaning products.

The plates must not be painted.



Take care to recycle the battery appropriately

## 7. ACCESSORIES

0 648 71: Repositionable adhesive for wireless control (x 4 supplied)  
Replacement rocker plate: 0 648 19: White  
0 648 29: Titanium  
0 648 39: Graphite

## 8. STANDARDS AND APPROVALS

The undersigned, LEGRAND, declares that the radio-electric equipment type (0 676 46/47 - 0 648 97) complies with directive 2014/53/EU.  
The full text of the EU declaration of conformity is available on the following website: [www.legrandoc.com](http://www.legrandoc.com)